

Vertical Shaft Impact Crusher Model 1000



PRODUCER BENEFITS

- Cubical particle shape
- Gradation control
- Simple maintenance
- High product yield
- Non-plugging crushing chamber
- High fracture percentage
- Variable reduction ratios
- Heavy duty design

PARAMETERS	MODEL 1000
Maximum Feed Size Longest Dimensions Depends on RPM	1,000 12"
Maximum Input Capacity T.P.H. Depending on Feed Size	1000 750
Maximum Impeller R.P.M. Depending on Feed Size and Internal Configuration	1,000 850
Table Diameter	1,000 56"
Feed Tube Diameter	1,000 24" I.D.

Steel-On-Steel configuration for maximum production. Autogenous rock box for lower tonnage in high abrasion materials



Steel-On-Steel configuration for maximum production

1-360-571-7703



sales@actechmfg.com

actechmfg.com

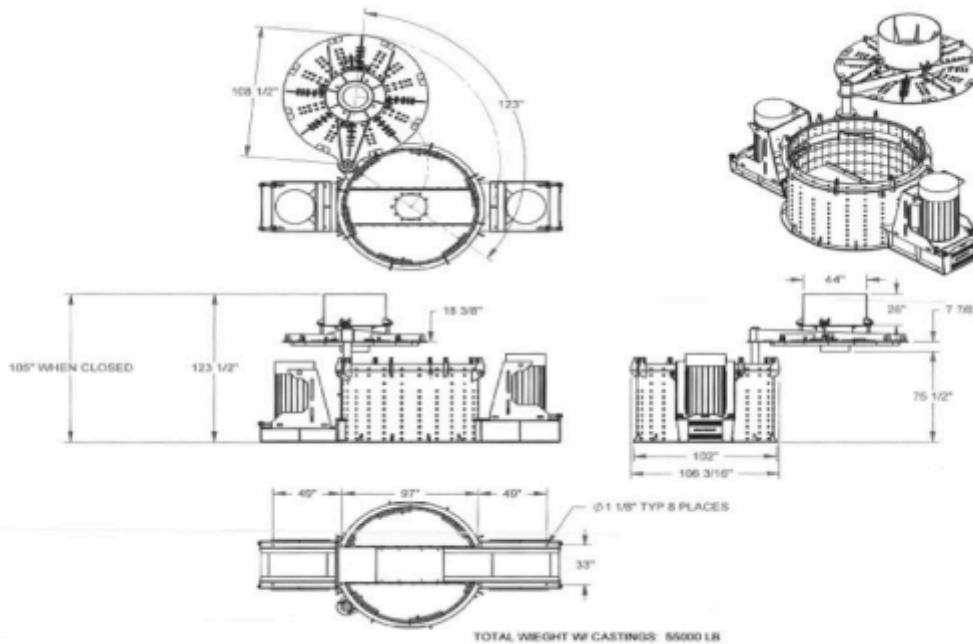
WWW.ACTECHMFG.COM

STANDARD FEATURES



- Hydraulic lid lifter
 - Modular oil lube system
- Externally adjustable feed tube system
- Unitized construction
 - Cast lid and tunnel liners
- One piece tub and shroud liners
- Motor mount and adjustable take-ups
- V-belt drive
- Heavy duty pedestal drive with double self-aligning spherical roller bearings
- 3, 4, 5 and 6-Shoe tables
- One year manufacturer's warranty
- Options include dust control systems, jib crane (parts hoist), portable or stationary, electric or diesel drives

ALL SPECIFICATIONS ARE SUBJECT TO CHANGE WITHOUT NOTICE



1-360-571-7703

ACTECH
Tecnologías Avanzadas de Trituradoras

sales@actechmfg.com

actechmfg.com

WWW.ACTECHMFG.COM